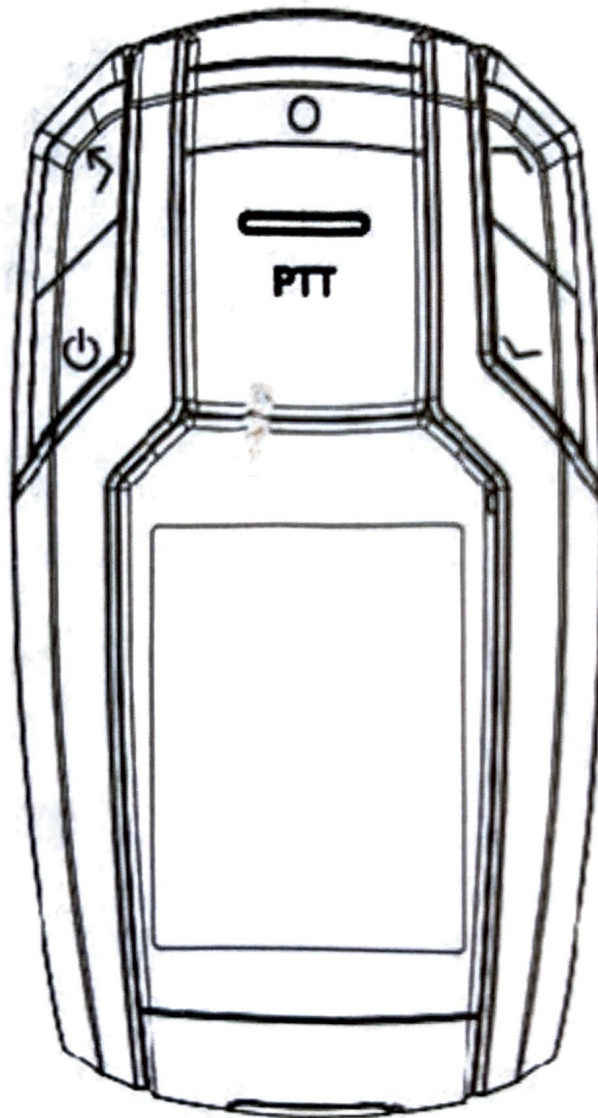


Voyager

PoC Walkie Talkie User's Manual



Legal Disclaimer

Under no circumstances shall the company be liable for any loss of data or other damages, or any direct or indirect damages arising from special incidents or accidents.

The content of this manual is provided "as is."

Unless required by applicable law, no warranties of any kind—express or implied—are made regarding its accuracy, reliability, or content, including but not limited to warranties of merchantability or fitness for a particular purpose. The company reserves the right to revise or withdraw this manual at any time without prior notice.

If there is any discrepancy between the content of this manual and your device, the device shall prevail. The company retains the final right to interpret this manual.

Charger Usage Precautions

1. Power Requirements

For optimal charging efficiency and safety, use a 220V AC power supply.

Do not short-circuit the charger, as this may cause electric shock, smoke, or damage to the charger.

2. Charger & Cable Condition

Do not use the charger if the power cord is damaged, as it may lead to fire or electric shock.

Regularly clean dust from the power outlet to prevent overheating.

Do not place heavy objects on the power cord or attempt to modify it, as this may cause fire or electric shock.

3. Environmental Safety

Keep liquids away from the charger—avoid placing water containers nearby to prevent spills, overheating, or short circuits. Do not use the charger in humid or high-temperature environments (e.g., bathrooms), as this may cause electric shock, fire, or damage.

Never handle the charger, battery, or power outlet with wet hands—risk of electric shock.

4. Maintenance & Handling

Do not disassemble or modify the charger—this may result in injury, electric shock, fire, or device failure.

When unplugging, hold the charger body—pulling the cord directly may damage it, leading to fire or electric shock.

Always unplug before cleaning or maintenance.

Main features

4G nationwide intercom, unlimited range | High-Fidelity Audio
Low-Battery | Voice Alert

Group Call | Private Call | Buddy Call

Over-the-Air (OTA) programming & firmware upgrades 7-level
microphone sensitivity adjustment

PTT (Push-to-Talk) with priority request/override function

Unboxing & Product Inspection Guide

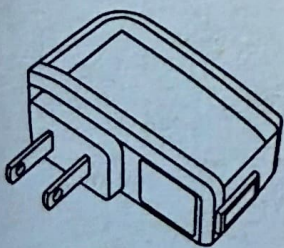
Welcome to use Walkie-Talkie Before Use, Please:

Carefully unbox and check if all listed items are included.

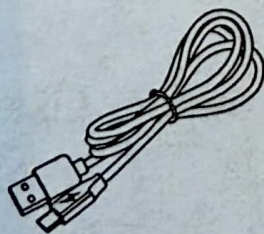
Inspect the product and accessories for any damage during shipping.

Contact your dealer immediately if anything is missing or damaged.

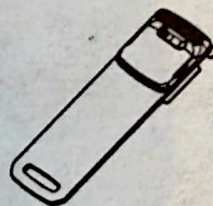
Standard Package Contents:



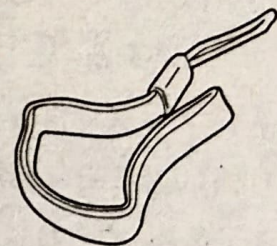
Adapter



TYPE-C cable

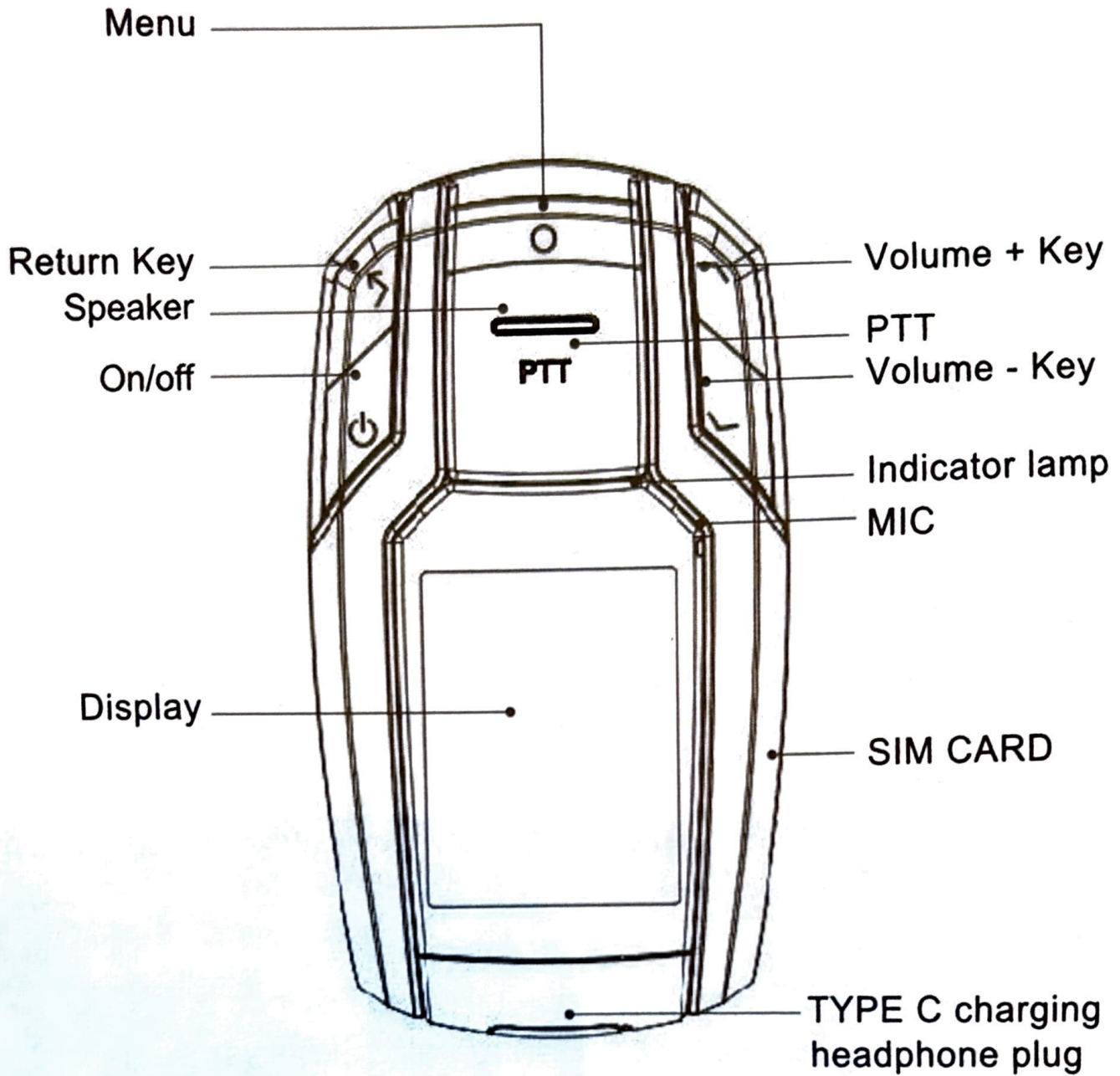


Belt clip



Lanyard

Get to know the machine



HOW TO USE

Power On/Off

Turn On: Hold the power button for 2 seconds.

Turn Off: Hold the power button for 2 seconds
(ensure keyboard is unlocked first).

PTT Key Functions

Standby Mode (green LED slow flash):

Press PTT to initiate a call (red LED on).

During Call (green LED on when receiving audio):

Hold PTT to request speaking rights (red LED on).

Release PTT to return to standby (green LED slow flash).

Menu & Confirm Key

Short Press: Access menu (Group List/Member List/Friend List/Device Settings).

Long Press: Mute audio.

Return Key

Short Press: Go back/exit current state.

Long Press: Lock/Unlock keyboard.

Volume + Key

Short Press: Increase volume (main screen) / Move cursor up (menu). Long Press: Quick access to Group List.

Volume - Key

Short Press: Decrease volume (main screen) / Move cursor down (menu). Long Press: Quick access to Member List.

Headset Usage

Compatible: TYPE-C headset (device-specific).

PTT Control: Press headset button to call; release to end..

Getting Started Guide

1. Inserting the UIM Card

Insert a valid UIM card (user identification card) before use.

2. Power On/Off

Turn On: Hold the power button for 2 seconds.

Voice prompt: "Welcome to 4G Full-Network Walkie-Talkie."
After successful login: Announces username and group name.
Turn Off: Hold the power button for 2 seconds
(ensure keyboard is unlocked).

3. Volume Control

Short Press Volume +/-: Adjust volume.

Long Press Menu Key: Mute/unmute.

4. Group Call Setup

Method 1:

Press Menu Key → Select "Group List" (Confirm Key).

Use Volume +/- to navigate → Press Confirm Key to select group.

Method 2 (Quick Access):

Long Press Volume + → Directly enter Group List → Select group as above.

5. Private Call (Member Selection)

Method 1

Press Menu Key → Navigate to "Member List" (Volume +/-).

Select member → Press Menu Key to confirm.

Press PTT to call → Return Key to exit.

Method 2 (Quick Access):

Long Press Volume - → Enter Member List → Select member as above.

6. Buddy Call

Press Menu Key → Navigate to "Buddy List".

Select buddy → Press Menu Key to confirm.

Press PTT to call → Return Key to exit.

Device Settings Guide

1. Audio Alerts Setup

PTT Tone: ON/OFF

Power On/Off Tone: ON/OFF

TTS (Text-to-Speech) Prompt: ON/OFF

2. Backlight & Keyboard

Backlight Duration: 15sec/20sec/30sec/AlwaysOn

Screen turns off after the set time; "Always On" keeps backlight active. Auto Key Lock: ON/OFF

Prevents accidental key presses during standby.

3. Network Settings

Auto Mode: Device automatically selects the best available network. 4G Priority Mode: Forces 4G network connection.

4. Factory Reset

Reset All Settings:

Restores all functions to default factory settings.

Reset Account/Password:

Requires 6-digit password to revert account, IP, and login credentials to factory defaults. Warning: Use cautiously if custom account/IP/password was set!

5. Software & Firmware

Software Upgrade:

Options: POC Upgrade (Push-to-Talk over Cellular) or MCU Upgrade (Microcontroller). Requirements: Battery $\geq 50\%$.

Stable network connection (do not power off during upgrade).

If failed, device auto-reboots after 7 minutes.

Over-the-Air (OTA) Programming:

Select OTA Mode → Enter the device's MEID into the programming tool.

Edit Account: Update username, password, or dealer access code.

Write Settings: Confirm changes → "Success" prompt appears.
Note: Some settings (right-side menu in tool) are disabled in OTA mode.

Wired Programming (Type-C Cable):

Connect via Type-C cable → Select "Wired Mode" in the tool.
Choose port: XGD Virtual COM Port (COM?).

Follow same steps as OTA for account changes.

Dealer passwords can be set independently here.

6. Microphone Sensitivity Level

Adjustable Levels:

Standard (Default)

+1 / +2 / +3 (Increase sensitivity for louder/clearer transmission)

-1 / -2 / -3 (Reduce sensitivity for noise suppression)

7. Location Information

Voice Broadcast: Announces current position via audio.

QR Code Display: Scan with a smartphone to view approximate location on a map.

Note: Uses cellular base station positioning (not GPS) — accuracy may vary.

8. Device Information

Access Path: Settings → About Device

Displayed Details: MCU Version (Microcontroller firmware)

POC Version (Push-to-Talk over Cellular software) Module
Firmware

Device Account

IMEI Number (Device identifier)

Carrier Network

ICCID Number (SIM card identifier)

Technical Parameter

Working voltage :3.7V

Operating system:RTOS

Language:customization

Antenna:built-in

Screen size:1.77inches

Motherboard hardware platform:

ASR1603

Size:100*57*22mm

Weight:104.3g(Including battery)

Battery capacity:2000mAh

Receiver sensitivity: -106dbm

Maximum transmission power:

23dBm±2dBm@Alupbts

Working temperature: -20°C-+60°C

Storage Temperature Range: -

20°C~+60°C

Audio output:2W@10% distortion

Earphone Cable: TYPE-C

Charging method: TYPE-C